

1-045 Compression Latch Pr 14.1

Hand or tool operable, IP65, Adjustable compression, Optional pre-assembly

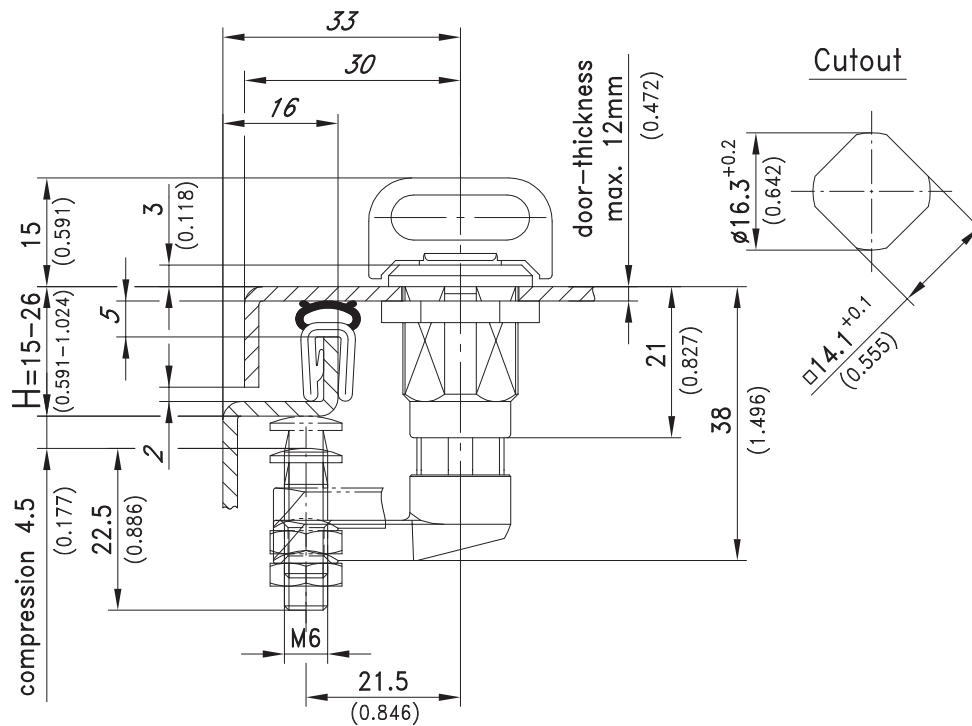


Product Notes:

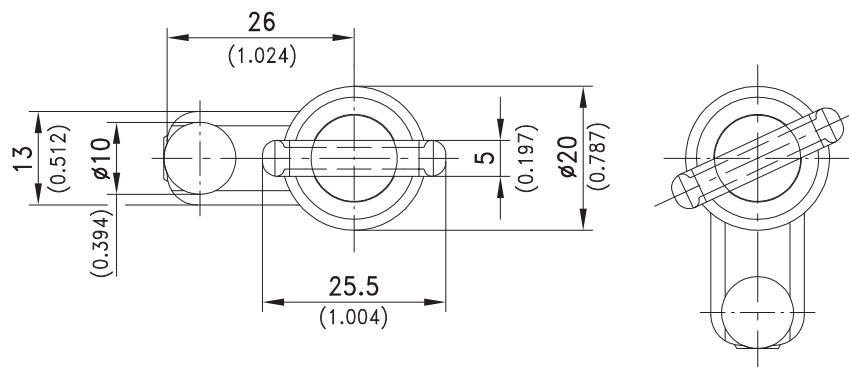
- To latch - turn clockwise
- To unlatch - turn counter clockwise
- Two 90° rotations first secure door closed and then apply compression
- Provides 4.5mm compression
- H-dimension is changed with adjusting screw
- Water and dust tight according to IP65, DIN EN 60529
- Pre-assembled Quarter-Turn can be installed in cutout

Material:

- Housing and insert shaft:** Zinc Die, Black
- Knob:** PA, Black
- Cam:** Zinc Die, Black
- Adjusting screw and nut:** Steel, Zinc Plated



Position of cam and knob:
 "closed and compressed" "open"



a) Compression latch (as drawn) with flat seal, nut and knob	220-9313
a1) Compression latch slotted insert (4mm deep) with flat seal and nut	220-9317
a2) Compression latch socket hexagon insert (Allen 4mm (5/32")) with flat seal and nut	220-9318